



BVW 0742

Load Resistor

(3.9K) Ident Nr.: 3EHP 590395 R0003

B+Z Art.Nr. 4

(1.5K) Ident Nr.: 3EHP 590395 R0002

B+Z Art.Nr. 3



Function

Power resistors mounted in an aluminium case.

B + Z Elektronik AG
CH-8108 Dällikon
Tel: +41(0)44 8440355
www.bahnelektronik.ch

Created: 10.03.10
Changed: 09.06.10
Index:
File: BVW742_e_kd.DOC

Page: 1/3



We hold all rights for this document and its content.

It is prohibited to copy, to utilize or to publish its content without our explicit permit. © B+Z Elektronik AG

Technical Data

Electrical specifications

• Resistor values

3EHP 590395 R0003: 3900 Ω \pm 5%
3EHP 590395 R0002: 1500 Ω \pm 5%

• Maximum ratings

Maximum Ratings : at 25°C - Power 100W; Voltage 625V; Current 0,16A
 at 70°C - Power 80W; Voltage 558V; Current 0,143A

Mechanical specifications

• Dimensions

Dimension : 175 x 80 x 57mm
Weight : ca. 800g

• Materials

Case : Aluminium die-cast box, unwrought
Cable gland : with shielding

• Contacts

In case : 2 labeled terminals with M5 stud bolt
External : GND contact with Faston 6,3Rad, 45 ° angled

• Temperature range

- 40 °C ... + 70 °C

• Disposal

According to local regulations

• Special Conditions

To prevent corrosion caused by high air humidity drilled holes are used as condensed water outlet.

Test Instructions

- Visual check of correctly mounted components, tightened screws and well soldered connections.
- Measuring of the resistance between the two connector screws M5: $R = 3900\Omega \pm 5\%$.
- High voltage test (connection cables disconnected) : 2000V / 50 or 60Hz / 1 minute between connector and case
- After fixing the cables: Check tightened nuts and low resistance connection between cable shield and case.



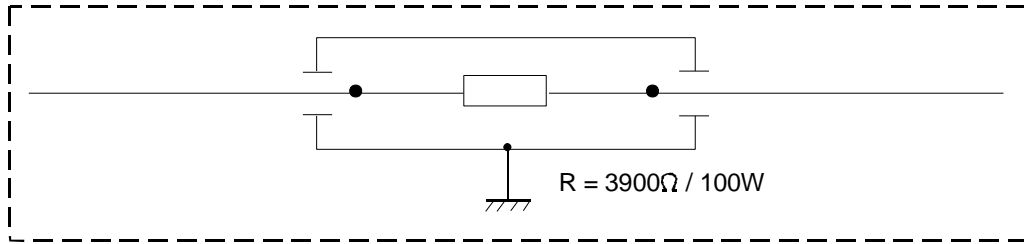
B + Z Elektronik AG

Exposed: 10.03.10
Changed: 09.06.10
Index:
File: BVW742_e_kd.DOC

Approved:
Approved:
Page: 2/3

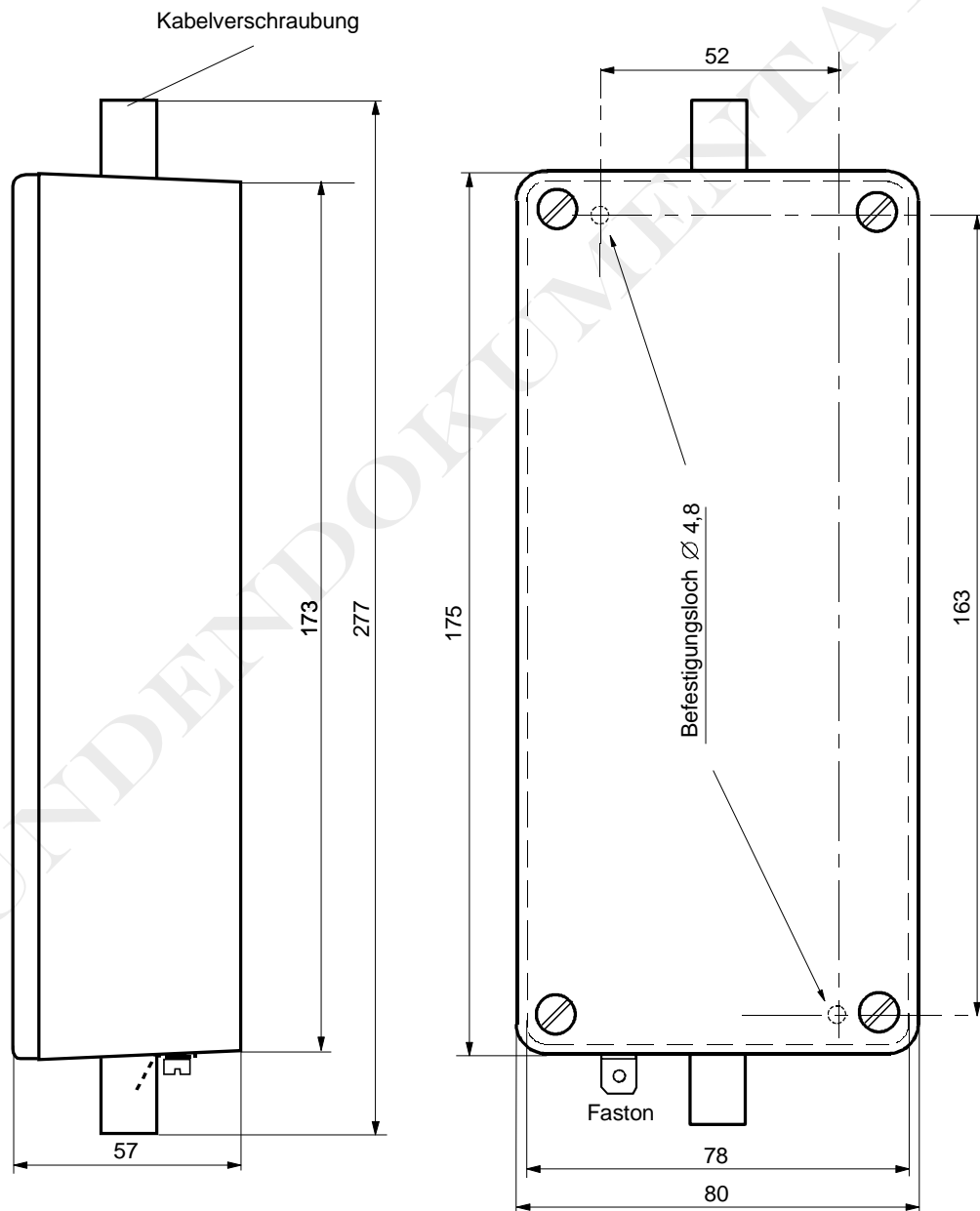
BVW 0742
Load resistor
Ident Nr.: 3EHP 590395

Block diagram



Simplified Drawing

Dimensions in mm



B + Z Elektronik AG

Exposed: 10.03.10
Changed: 09.06.10
Index:
File: BVW742_e_kd.DOC

Approved:
Approved:

Page: 3/3

BVW 0742
Load resistor
Ident Nr.: 3EHP 590395