



# BVW 3210

## Voltage Indicator

### 40 to 2000VAC/DC

#### HBVW400019 R0002

#### B+Z Art. No. 21

#### Content:

1. Description
2. Technical data
2. Block diagram
4. Measures

#### Page:

- 2
- 2
- 3
- 4



# 1. Description

## 1.1. Item

Used as warning device (AC or DC) for existing dangerous high voltage. The device indicates an existing high voltage by a flashing LED. The flashing frequency increases proportionally to the applied voltage. The device itself is powered via the high voltage and needs no other power. It is suitable for front panel mounting e.g. on metal doors, electrical cabinets etc.

## 1.2. Function

A LED flashes when the input voltage (AC or DC) is applied. The flash frequency is approximately proportional to the input voltage.

$U_E = 2000V \rightarrow 300$  Flashes per minute  
 $U_E = 40V \rightarrow 3...4$  Flashes per minute

The following time elapse before the first flash appears at:

$U_E = 220V, 60V, 40V,$   
 $t = 8s, 30s, 60s,$

# 2. Technical data

## • Standards

The product is manufactured in accordance with the following standards:

ISO 9001:2015  
Electronic equipment used on rolling stock: EN50155  
Electromagnetic compatibility: EN50121-3-2  
Isolation: EN50124-1  
Shock and vibration: EN50155/EN61373  
Fire protection according to EN 45545

The standards applicable to this product are dependent on the version available at the time of development.

## 2.1. Mechanical data

### • Dimensions

Measures (WxHxD) : 50 x 50 x 50mm  
Weight : approx.160g

### • Materials

Housing : Plastic, filled with Epoxy compound

### • Mounting

Mounting : frontside mounting with 2 pc. M4-Screws, mounting hole distance 36mm



B + Z Elektronik AG

Developed : 15.07.96  
Modification : 15.07.96  
Index:  
File: BVW3210\_e\_kd.doc

Checked:  
Checked:  
Page: 2/4

BVW 3210  
Voltage Indicator 40 to 2000VAC/DC  
Ident.-No.: HBVW400019R0002

- **Connectors**

Faston 6,3 x 0,8mm

## 2.2. Electrical data

### 2.2.1 Input

Voltage : 40V - 2000V AC or DC  
Input resistance : 1M $\Omega$

- **Voltage indicator**

Red flashing LED

## 2.3. Other conditions

### 2.3.1. Climatic conditions

Environment temperature: -20°C to +70°C  
Humidity : max. 96% rF, at 30°C, non condensing

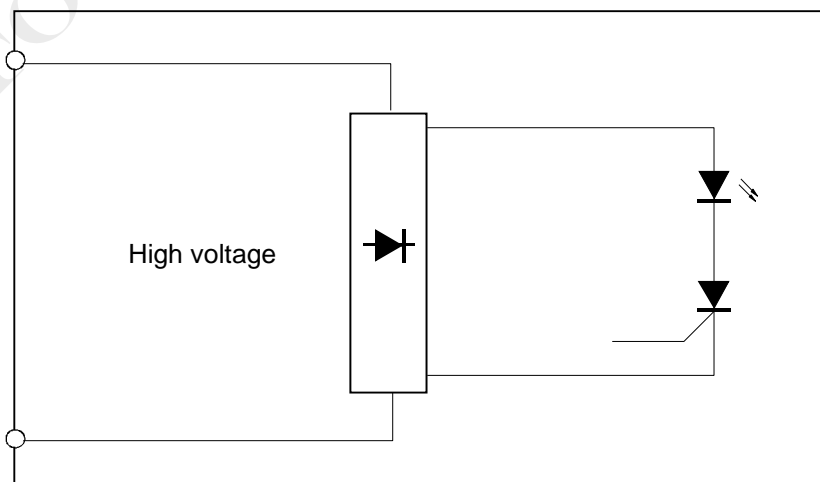
### 2.3.2. High voltage test

Dielectric strength 5kV DC 10 seconds inputs to the housing

### 2.3.2. Disposal

According to local regulations

## 3. Block diagram



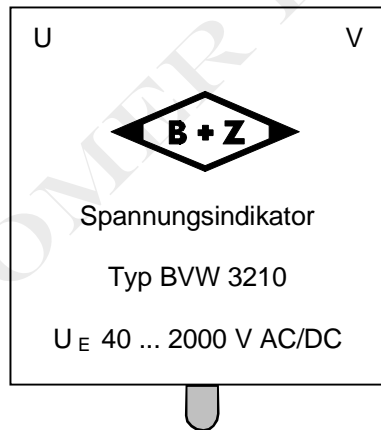
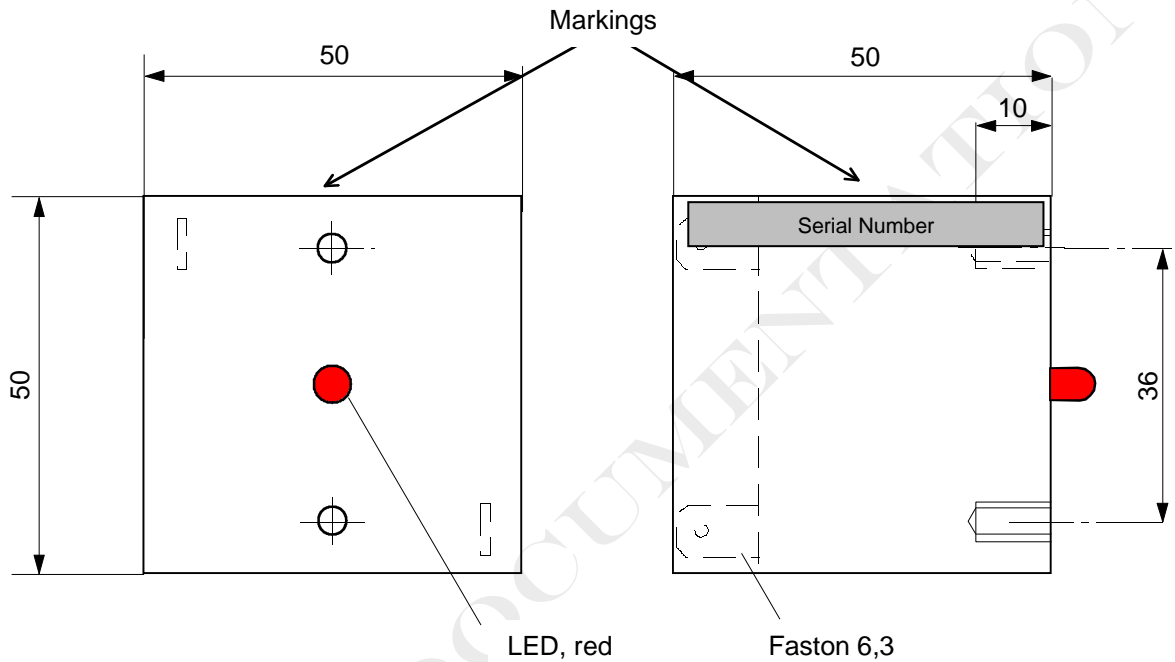
B + Z Elektronik AG

Developed : 15.07.96  
Modification : 15.07.96  
Index:  
File: BVW3210\_e\_kd.doc

Checked:  
Checked:  
Page: 3/4

BVW 3210  
Voltage Indicator 40 to 2000VAC/DC  
Ident.-No.: HBVW400019R0002

## 4. Measures



B + Z Elektronik AG

Developed : 15.07.96  
 Modification : 15.07.96  
 Index:  
 File: BVW3210\_e\_kd.doc

Checked:  
 Checked:  
 Page: 4/4

BVW 3210  
 Voltage Indicator 40 to 2000VAC/DC  
 Ident.-No.: HBVW400019R0002